



Technical data

Torque	5 Nm
Damper size	up to approx. 1.0 m ²
Control signal	on/off
Power supply	
RAR5 24D and RAR5 24D S2	24 Vac/dc
RAR5 220D and RAR5 220D S2	220 Vac
Power consumptions	
RAR5 24D and RAR5 24D S2	Operation 7.2 W, Stop 2.5 W
RAR5 220D and RAR5 220D S2	Operation 4.2 W, Stop 2.5 W
Frequency	50...60 Hz
For wire sizing	10 VA
Protection Class	II
Running time	Actuator 50 to 70 secs. Spring < 20 secs.
Angle of rotation	90° (95° mechanical)
Angle of rotation limiting	5° to 85° in 5° step
Life cycle	> 60.000 times
Noise	Below 45 dB(A)
Auxiliary switch	1 adjustabel SPDT for RAR5 24D S2 and RAR5 220D S2
Connection	1 metres cable
Protection	IP 54
Ambient temperature	-20 to +50°C per IEC 721-3-3
Ambient humidity	5 to 95% rH
Maintenance	Maintenance free
Certification	CE, EN/EEC
Weight	Around 2 kgs

Features

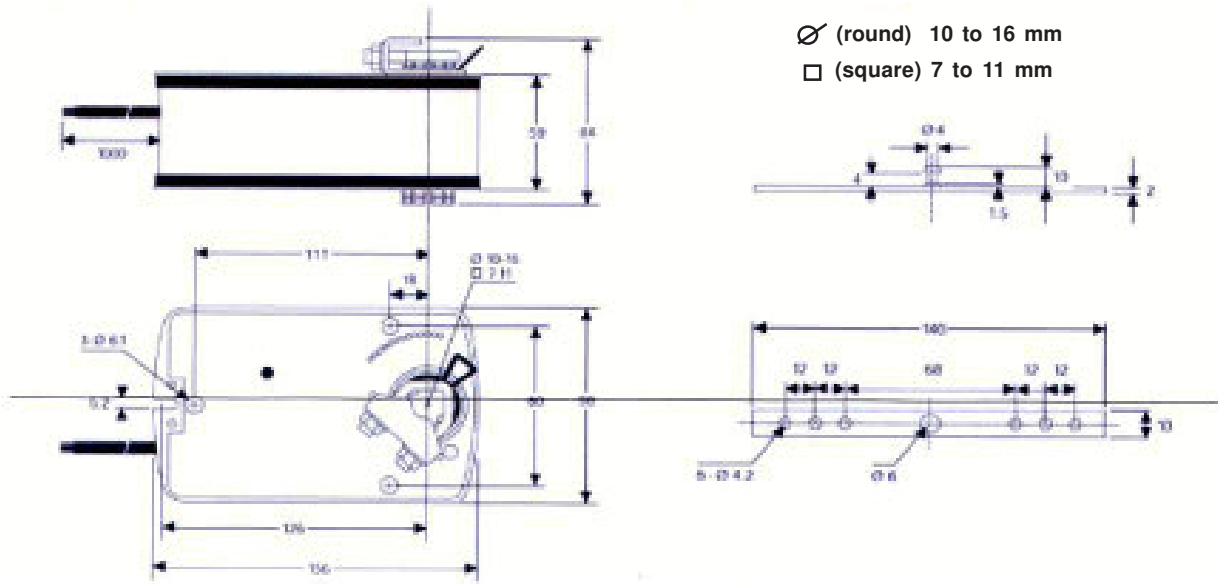
- Spring return
- Torque 5 Nm
- For regulate dampers up to approx. 1.0 m²
- On /off control signal
- For shaft dimensions
round 10 to 16 mm
square 7 to 11 mm
- Anti rotation bracket provided for stability
- Adjustable angle of rotation
- Selectable direction of rotation by reversing actuator
- Position indicator
- Energy savings at end stops
- Supplied with 1 meter cable
- Power supply
24 Vac/dc for RAR5 24D and RAR5 24D S2
220 Vac for RAR5 220D and RAR5 220D S2
- Running time
Actuator 50-70 secs.
Spring < 20 secs.
- Auxiliary switches for
RAR5 24D S2 and RAR5 220D S2

Ordering

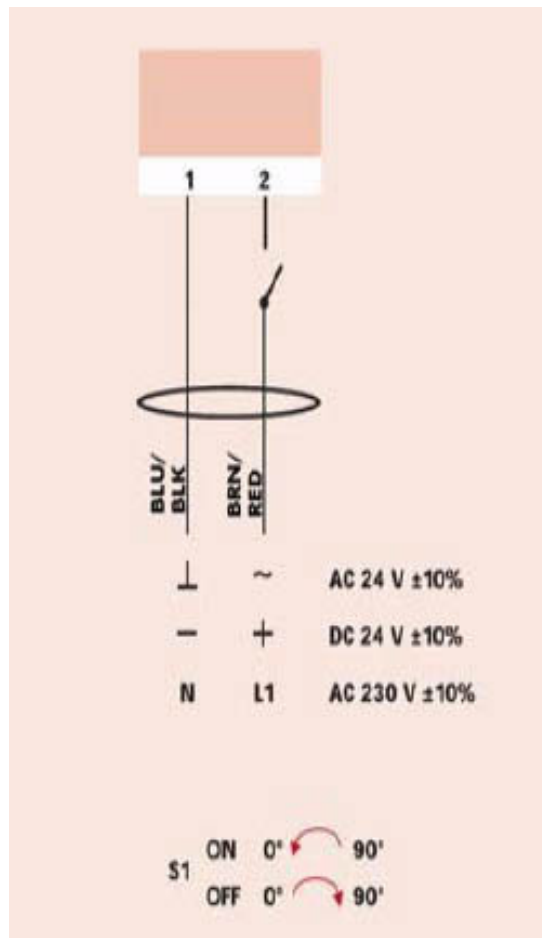
Spring return damper actuator

Type no.	Description
RAR5 24D	5Nm, 24 Vac/dc, on/off
RAR5 24D S2	5Nm, 24 Vac/dc, on/off, with auxiliary switches
RAR5 220D	5Nm, 220 Vac, on/off
RAR5 220D S2	5Nm, 220 Vac, on/off, with auxiliary switches

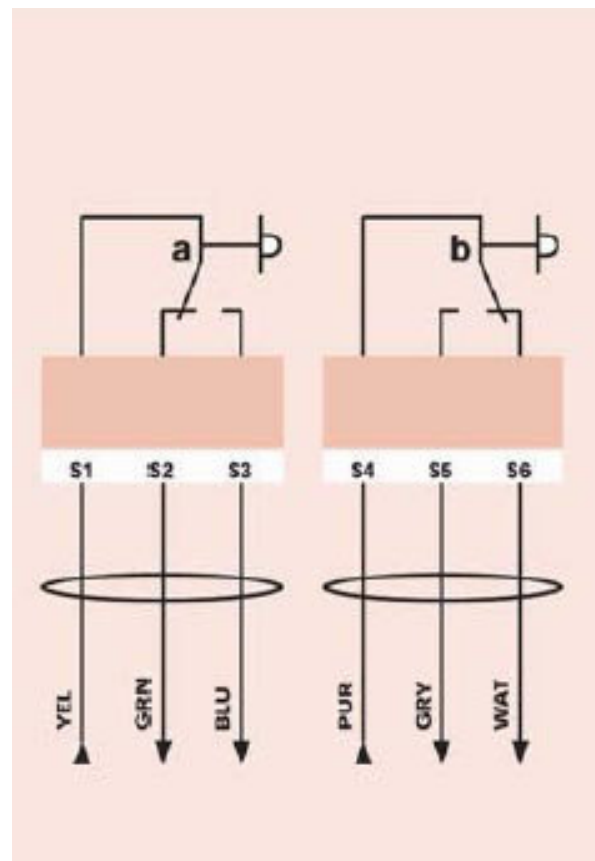
Dimensions



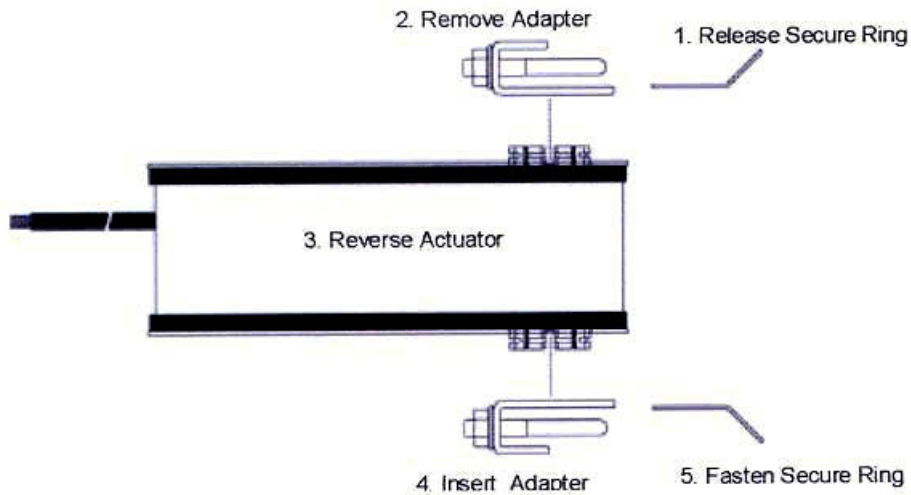
Wiring



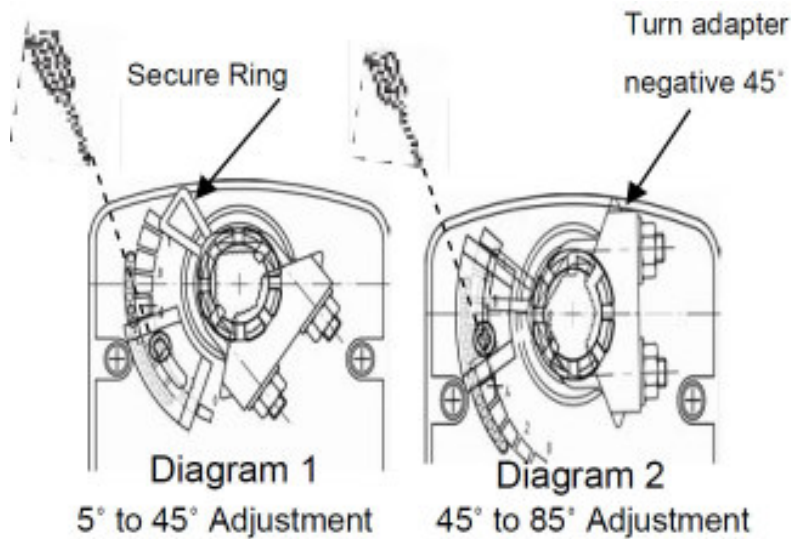
Auxiliary Switches



Changing Direction of Rotation



Angle of Rotation Limiting 5° to 85° adjustment



For 5° to 45° adjustment
(Diagram 1)

1. Loosen screw of the mechanical limiter plate.
2. Move the limiter plate to the appropriate position.
3. Tighten the screw.

For 45° to 85° adjustment
(Diagram 2)

1. Release the secure ring of the adaptor.
2. Remove the adaptor and turn negative 45° as shown.
3. Insert adaptor and secure the adaptor ring.
4. Loosen screw of the mechanical limiter plate.
5. Move the limiter plate to the appropriate position.
6. Tighten the screw.

We reserve the right to make changes in our products without any notice which may effect the accuracy of the information contained in this leaflet.