



RAR15 24D

Technical data

Torque	15 Nm
Damper size	up to approx. 3.0 m ²
Control signal	on/off
Power supply	
RAR15 24D and RAR15 24D S2	24 Vac/dc
RAR15 220D and RAR15 220D S2	220 Vac
Power consumptions	
RAR15 24D and RAR15 24D S2	Operatiion 5.0 W, Stop 2.5 W
RAR15 220D and RAR15 220D S2	Operatiion 6.5 W, Stop 2.5 W
Frequency	50...60 Hz
For wire sizing	10 VA
Electric level	III (Safety Low Pressure)
Running time	Actuator 180 secs. Spring < 30 secs.
Angle of rotation	90° (95° mechanical)
Angle of rotation limiting	5° to 85° in 5° step
Life cycle	> 60.000 times
Noise	50dB(A) and 62dB(A)
Auxiliary switches	2 SPDT for RAR15 24D S2 and RAR15 220D S2
Connection	1 metres cable
Protection	IP 54
Ambient temperature	-20 to +50°C per IEC 721-3-3
Ambient humidity	5 to 95% rH
Maintenance	Maintenance free
Certification	CE, EN/EEC
Weight	Around 3 kgs

Features

- Spring return
- Torque 15 Nm
- For regulate dampers up to approx. 3.0 m²
- Control signal on/off
- For shaft dimensions
round 10 to 19 mm
square 10 to 16 mm
- Anti rotation bracket provided for stability
- Adjustable angle of rotation
- Selectable direction of rotation
by reversing actuator
- Position indicator
- Energy savings at end stops
- Supplied with 1 meter cable
- Power supply
24 Vac/dc for RAR15 24 D and RAR15 24D S2
220 Vac for RAR15 220D and RAR15 220D S2
- Running time
Actuator 180 secs.
Spring < 30 secs.
- Auxiliary switches for
RAR15 24D S2 and RAR15 220D S2

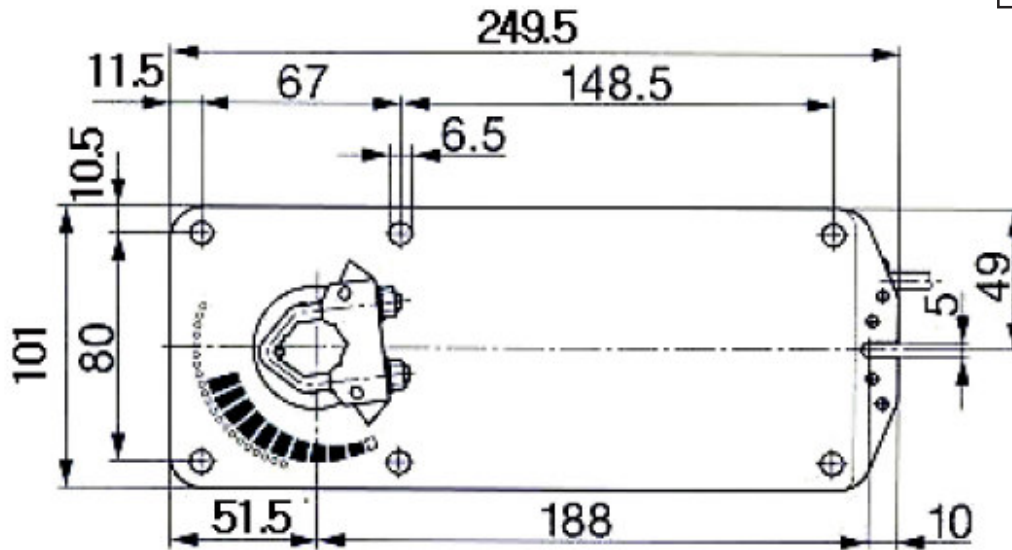
Ordering

Spring return damper actuator

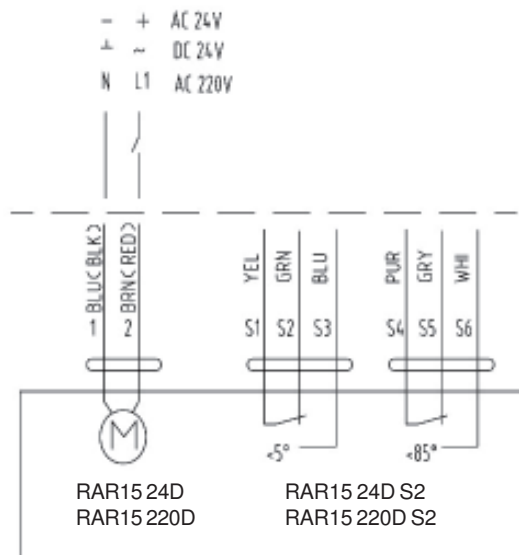
Type no.	Description
RAR15 24D	15Nm, 24 Vac/dc, on/off
RAR15 24D S2	15Nm, 24 Vac/dc, on/off, with auxiliary switches.
RAR15 220D	15Nm, 220 Vac, on/off
RAR15 220D S2	15Nm, 220 Vac, on/off, with auxiliary switches.

Dimensions

∅ (round) 10 to 19 mm
□ (square) 10 to 16 mm



Wiring



We reserve the right to make changes in our products without any notice which may effect the accuracy of the information contained in this leaflet.